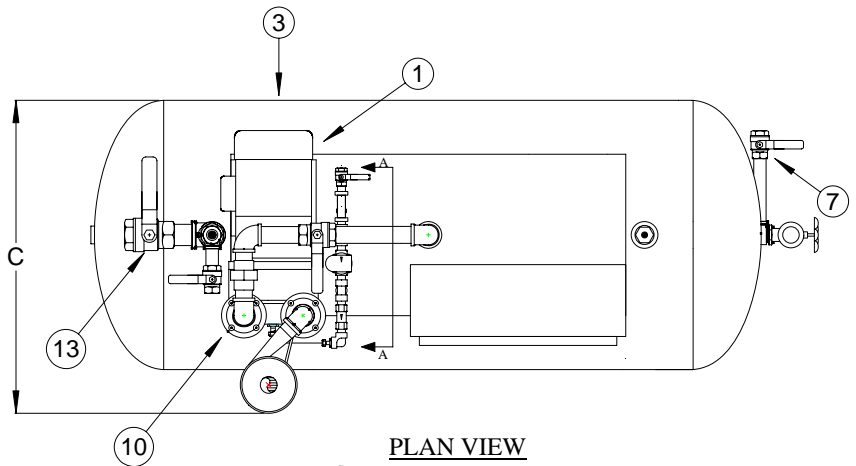


4

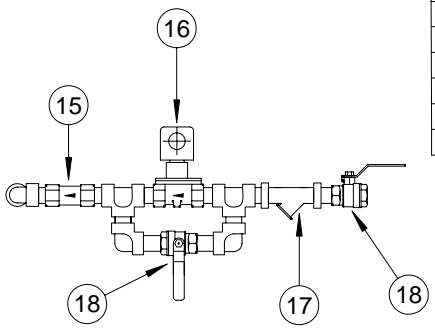
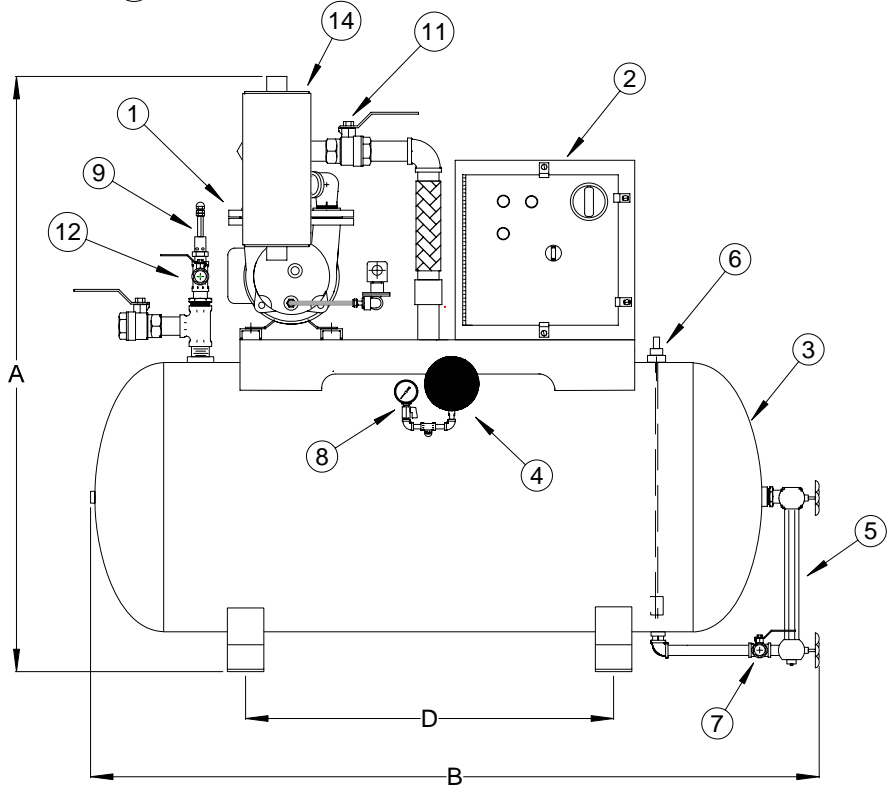
3

2

1



PLAN VIEW



DETAIL A-A
SERVICE WATER LINE

PARTS LIST

ITEM	QTY	DESCRIPTION	MTRL
1	1	LIQUID RING VACUUM PMP	CI/BRZ
2	1	SIMPLEX CONTROL PANEL, NEMA 4/12	CS
3	1	ASME RECEIVER TANK	CS
4	1	VACUUM SWITCH	BRASS
5	1	GAUGE GLASS	BRONZE
6	1	LEVEL SWITCH, HIGH WATER	BRASS
7	1	DRAIN VALVE	BRASS
8	1	VACUUM GAUGE w/ GAUGE VALVE	BRASS
9	1	VACUUM RELIEF VALVE	BRASS
10	1	CHECK VALVE	BRASS
11	1	ISOLATION BALL VALVE, VAC. PUMP	BRASS
12	1	RECEIVER VENT VALVE	BRASS
13	1	ISOLATION BALL VALVE, SYSTEM	BRASS
14	1	AIR/WATER DISCHARGE SEPARATOR	CS
15	1	1/2" FLOW CONTROL VALVE	BRASS
16	1	1/2" 2-WAY SOLENOID VALVE, N.C.	BRASS
17	1	1/2" Y-PATTERN STRAINER	BRONZE
18	2	1/2" ISOLATION BALL VALVE	BRASS

APS MODEL	DIMENSIONS (in.)			
	A	B	C	D
15LR-60H	43	53	32	26
25LR-80H	43	67	32	36
50LR-120H	48	70	34	42
75LR-200H	59	77	40	42
100LR-200H	59	77	41	42
150LR-240H	68	89	42	54
200LR-240H	72	89	42	54

NOTES:

1. SYSTEM SHOULD BE MOUNTED ONTO A RIGID LEVEL SURFACE.
2. AVOID POCKETS IN PRIMING LINE, SLOPE ALL PIPING UPWARD FROM PUMP TO PRIMING VALVES.
3. ALLOW SUFFICIENT ACCESS FROM ALL SIDES TO FACILITATE MAINTANANCE.
4. DIMENSIONS SHOWN AND EQUIPMENT POSITIONING IS APPROXIMATE & SUBJECT TO CHANGE.
5. VACUUM PUMP SERVICE WATER PIPING IN BRASS; PROCESS SIDE PIPE AND FITTINGS IN T316/316L SS.

THIS DRAWING IS THE PROPERTY OF LYNN ENGINEERED SYSTEMS, LLC. NO EXPLOITATION OR TRANSFER OF INFORMATION CONTAINED HEREIN IS PERMITTED IN THE ABSENCE OF AN AGREEMENT WITH LYNN ENGINEERED SYSTEMS, LLC. AND NEITHER THE DOCUMENT NOR ANY SUCH INFORMATION MAY BE RELEASED WITHOUT WRITTEN CONSENT OF LYNN ENGINEERED SYSTEMS, LLC.

LYNN Engineered Systems, LLC

28835 N. Herky Dr, Lake Bluff, Illinois

Simplex Vacuum Priming System
Model APS-LR/H

SIZE A	CAGE CODE	DWG NO SK-APS-S0201	REV
SCALE NONE	SHEET 1/1		

4

3

2

1